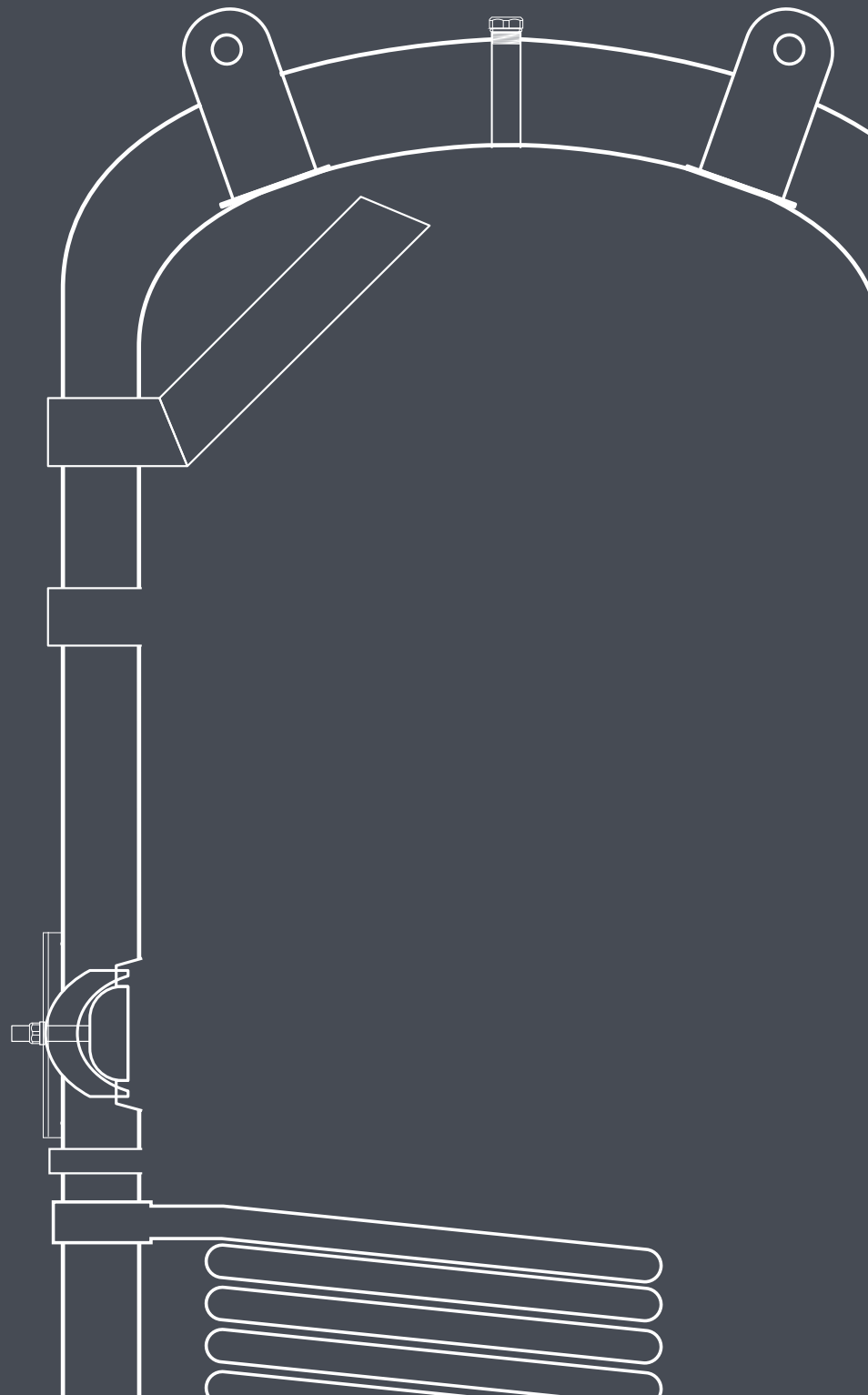


OSO

2024

Triton Marine class approved water heaters



KEY ADVANTAGES



WORLD LEADING QUALITY

Our stainless steel water heaters are in a class of its own when it comes to lifetime economy. Made in Scandinavia by the family business OSO Hotwater since 1932.



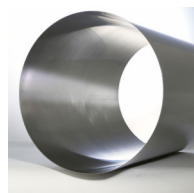
MORE HOT WATER

Substantially higher temperature (70°C+), highly efficient mixing valve (optional equipment), minimal heat loss and optimal design features gives up to 20% more hot water and class leading capacity.



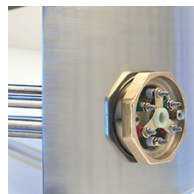
PRO INSULATION

OSO Hotwater ensures high energy efficiency by the use of glass wool ISOFLEX insulation, alternatively with vacuum panels or cellular rubber as optional insulation.



STRONGER

Manufactured from high grade stainless steel with superior quality and life expectancy.



BUILT TO LAST

INCOTEC™ el. immersion heaters with ultra high-grade IHM compliant, DZR brass, zinc-free soldering and carefully calculated surface loads results in maximum durability in hard water.



LIGHTER

High tensile strength, stainless steel equals lower weight and efficient use of resources. OSO products are more than 40 % lighter than enameled products.



ENVIRONMENTALLY FRIENDLY

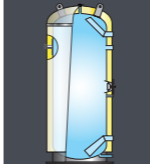
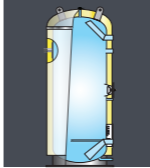
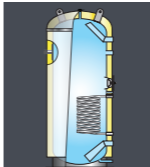
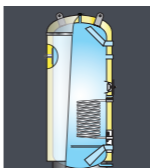
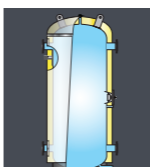
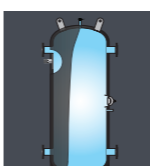
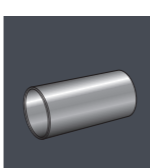
Huge resource savings and minimal environmental impact due to selective choice of materials and energy efficient manufacturing.



CERTIFIED AND DEDICATED

ISO 9001 / 14001 / 45001 / 3834-2 certified for increased quality and security.

CONTENTS

	TM	TRITON MARINE - TM	8
	TME	TRITON MARINE ELECTRIC - TME	10
	TMC	TRITON MARINE COIL - TMC	12
	TMCE	TRITON MARINE COIL ELECTRIC - TMCE	14
	TMA-H	TRITON MARINE ACCU HEAT - TMA	16
	TMA-C	TRITON MARINE ACCU COOL - TMA	18
	ADD-ONS	ADDITIONAL FLANGES AND CONNECTIONS	20

WHAT WE OFFER

Quality

For more than 50 years we've perfected the stainless steel water heater. The ideal combination of premium materials, automated manufacturing, and intelligent solutions makes our products last longer.

Efficiency

We design for minimum heat loss and maximum energy efficiency, without compromise, making your heating system cost-efficient.

It's all we do.



Triton Marine Series

The new class approved Triton Marine Series from OSO Hotwater is manufactured from stainless steel with superior quality and life expectancy. Marine pressure vessels from OSO Hotwater is well known for their reliability around the world, supplied to the marine industry for decades.

The Triton series is comprised of:

- Accumulators for heating and cooling
- Direct electric water heaters
- Indirect calorifiers.

The Triton Class Approval includes pressure vessels from 80L to 15 000L, made from material 316L or Duplex 2205, with a design pressure at 8 bars and a storage temperature range from -20°C to 90°C.

Triton Marine units has the perfect fit for whatever fresh water application is required for shipping, offshore, cruise ships, yachts or any other marine application.

Customer specified down to the last detail, the Triton Marine series has a market leading ability to be customized to your needs, in terms of nozzle configuration, electric specifications, volume and footprint – all within the scope of Type Approvals from the following Class Societies:

- DNV - Det Norske Veritas
 - BV - Bureau Veritas
 - ABS – American Bureau of Shipping
 - LR – Lloyd’s Register
- (others can be applied upon request)

Supplying the shipping, cruise and offshore fleet of the world with marine pressure vessels for decades provides OSO Hotwater with unique experience and know-how. Reference projects include Norwegian oil & gas platforms Troll, Oseberg, Valhall, Balder and many others, as well as the most renowned cruise ships on the seven seas.

As standard, all pressure vessels are designed and manufactured according to Class Society Ship Rules and additional certificates are available upon request. Whatever requirements our customers have, we strive to meet them.

All products and add-ons are in compliance with IHM (Inventory of Hazardous Materials) as regulated by EUSRR and Hong Kong International Convention for the Safe and Environmentally Sound Recycling of Ships, 2009 SR/CONF/45 (HKC)

In addition to the Type Approvals, OSO Hotwater holds the following certificates to ensure your product is designed and manufactured with supreme quality, by sustainable means:

- ISO 9001 (Quality management Systems)
- ISO 3834-2 (Quality requirements for fusion welding – Part 2: Comprehensive requirements)
- ISO 14001 (Environmental management systems)
- ISO 45001 (Occupational health and safety)



Product name	Code	Application
Triton Marine	TM	Consumable hot water accumulation
Triton Marine Electric	TME	Direct electric water heater
Triton Marine Coil	TMC	Indirect calorifier
Triton Marine Coil Electric	TMCE	Direct electric water heater with HEX coil
Triton Marine Accu Heat	TMA Heat	Accumulator for closed circuits, flanged connections
Triton Marine Accu Cool	TMA Cool	Accumulator for closed circuits, flanged connections

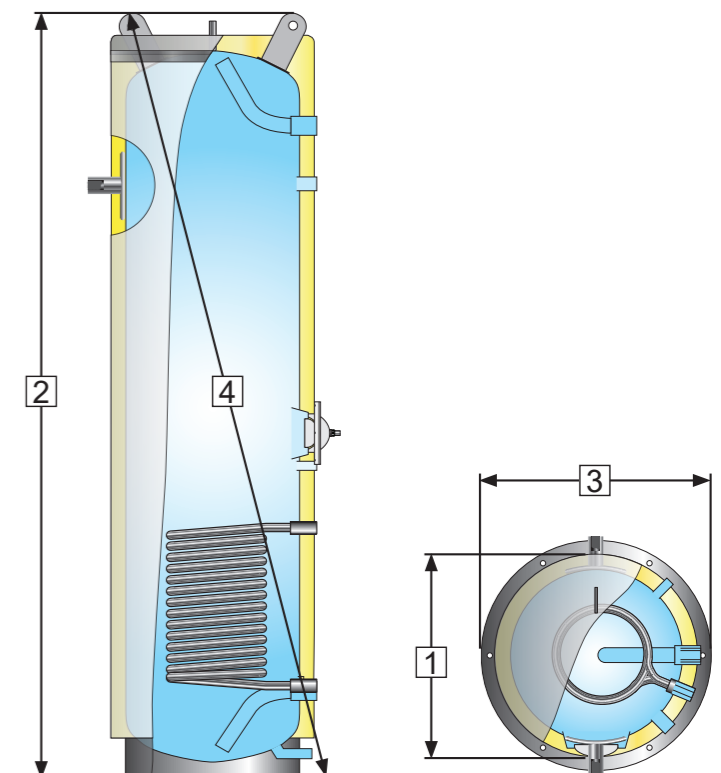
Size	Tank Diameter* mm. (1)	Total height mm. (2)	Footprint mm. (3)	Lift height mm. (4)	Nominal volume L	Product weight Kg
Triton Marine - 80 L	Ø 580	625	Ø 660	855	79	50
Triton Marine - 120 L	Ø 580	795	Ø 660	980	112	60
Triton Marine - 200 L	Ø 580	1 250	Ø 660	1340	195	85
Triton Marine - 300 L	Ø 580	1 700	Ø 660	1755	281	105
Triton Marine - 400 L	Ø 580	2 190	Ø 660	2225	375	130
Triton Marine - 600 L	Ø 780	1 920	Ø 810	1960	533	170
Triton Marine - 750 L	Ø 980	1 835	Ø 960	1935	755	235
Triton Marine - 1 000 L	Ø 980	2 085	Ø 960	2165	891	255
Triton Marine - 1 500 L	Ø 1300	2 110	Ø 1180	-	1 526	**
Triton Marine - 2 000 L	Ø 1300	2 560	Ø 1180	-	1 945	**
Triton Marine - 3 000 L	Ø 1500	2 810	Ø 1380	-	3 007	**
Triton Marine - 5 000 L	Ø 1700	3 350	Ø 1580	-	4 805	**
Triton Marine - 10 000 L	Ø 2000	4 595	Ø 1880	-	9 812	**
Triton Marine - 15 000L	Ø 2000	6 645	Ø 1880	-	14 915	**

Tolerance (all measures) +/- 20 mm.

The shown product weight may vary due to customer specification.

* Nozzles etc. may exceed the specified outer diameter of the tank body/footprint.

** Subject to customer specifications.



Triton Marine - TM

Stainless steel hot water accumulator tank for consumable water

Triton Marine - TM is ideal for heat accumulation in marine installations, for instance from other models in the Triton series (TME/TMCE/TMC), or directly from an external energy source.



Tank volume	Inspection openings	Drain size	CW inlet & HW outlet	Safety equipment	Other connections
80 - 120 L	Sighthole Ø50 mm	1" male BSP	1 1/2" female BSP	T&P valve 6,9 bar / 99 °C - 1"	Hotwater circ. 1" female BSP Temp. Sensor: 1/2" female BSP
200 - 400 L	Handhole 100 x 150 mm	1" male BSP	1 1/2" female BSP	T&P valve 6,9 bar / 99 °C - 1"	Hotwater circ. 1" female BSP Temp. Sensor: 1/2" female BSP
600 - 1000 L	Handhole 100 x 150 mm	1" male BSP	1 1/2" female BSP	T&P valve 6,9 bar / 99 °C - 1"	Hotwater circ. 1" female BSP Temp. Sensor: 1/2" female BSP Air vent.: 3/4" female BSP (600 L) 1" female BSP (1000 L)
1500 - 3000 L	2 x Handhole 100 x 150 mm	1" male BSP	2" female BSP	T&P valve 6,9 bar / 99 °C - 1"	Hotwater circ. 1" female BSP Temp. Sensor: 1/2" female BSP Air vent.: 1" female BSP
5000 - 15 000 L	Manway DN450	2" male BSP	2" female BSP	T&P valve 6,9 bar / 99 °C - 1"	Hotwater circ. 1" female BSP Temp. Sensor: 1/2" female BSP Air vent.: 1" female BSP

All configuration is subject to customization. • Product measurements: see table on page 7.

WHY CHOOSE TRITON MARINE?

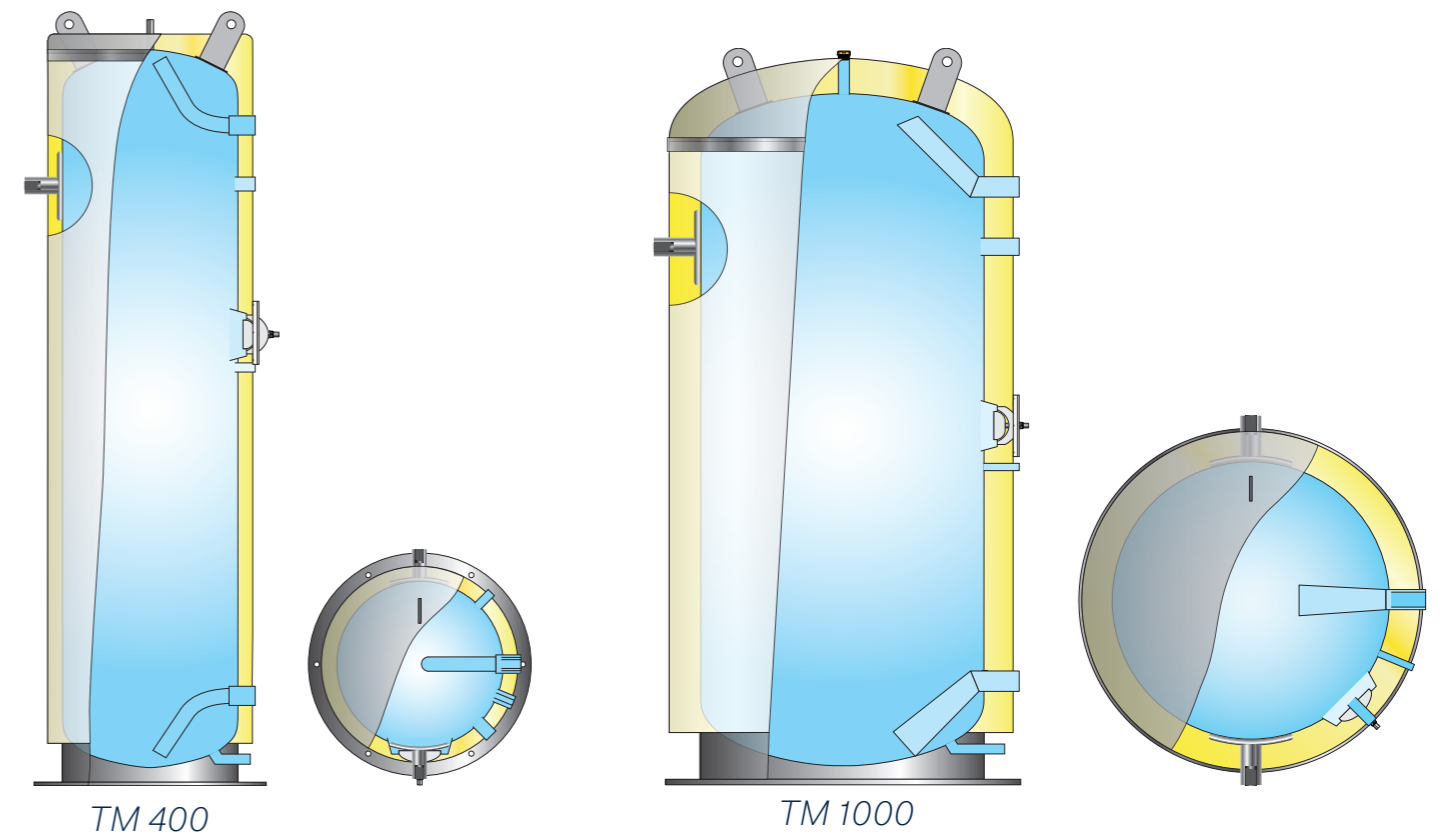
- Class approved and configurable to your needs
- Accumulator provides optimal working condition system
- 8 bar design pressure and high temperature water storage
- Class-leading corrosion resistance and long life expectancy.

TECHNICAL DATA

- Max operating pressure: 8 bar
- Max storage temperature: 90°C
- Standard volumes: 80 L, 120 L, 200 L, 300 L, 400 L, 600 L, 1 000 L, 1 500 L, 2 000 L, 3 000 L, 5 000 L, 10 000 L & 15 000 L (Volumes can be customized upon request.)
- ISOFLEX insulation.

COMPONENTS

- Safety Temperature & pressure valve 6,9bar / 99°C (discharge capacity 146kW)
- Drain (see table)
- CW inlet/HW outlet (see table)
- Standard connections (see table)
- Inspection openings and manway is designed according to Class Rules
- Mixing valve & external heat exchanger: See separate marine add-ons



Triton Marine Electric – TME

Unbeatable performance and lifetime economy

Triton Marine Electric – is suitable for most marine hot water applications, and is heated either with the integrated electric INCOTEC immersion heaters, or from an external energy source.

The electric immersion heaters has customizable effect from 5–250kW / 230–690V Current.



Tank volume	Inspection openings	Drain size	CW inlet & HW outlet	Electric Configuration	Safety equipment	Other connections
80 L	Sighthole Ø50mm	1" male BSP	1 ½" female BSP	1x 5kW heating element	T&P valve 6,9bar / 99°C – 1"	Hotwater circ. 1" female BSP Temp. Sensor: ½" female BSP
120 L	Sighthole Ø50mm	1" male BSP	1 ½" female BSP	3x 5kW heating element	T&P valve 6,9bar / 99°C – 1"	Hotwater circ. 1" female BSP Temp. Sensor: ½" female BSP
200 - 400 L	Handhole 100x150mm	1" male BSP	1 ½" female BSP	3x 5kW heating element	T&P valve 6,9bar / 99°C – 1"	Hotwater circ. 1" female BSP Temp. Sensor: ½" female BSP
600 - 1 000 L	Handhole 100x150mm	1" male BSP	1 ½" female BSP	3x 5KW heating element	T&P valve 6,9bar / 99°C – 1"	Hotwater circ. 1" female BSP Temp. Sensor: ½" female BSP Air vent.: ¾" female BSP (600 L) 1" female BSP (1000 L)
1 500 - 3 000 L	2 x Handhole 100x150mm	1" male BSP	2" female BSP	6x 5kW heating element	T&P valve 6,9bar / 99°C – 1"	Hotwater circ. 1" female BSP Temp. Sensor: ½" female BSP Air vent.: 1" female BSP
5 000 - 15 000 L	Manway DN450	2" male BSP	2" female BSP	12x 5kW heating element	T&P valve 6,9bar / 99°C – 1"	Hotwater circ. 1" female BSP Temp. Sensor: ½" female BSP Air vent.: 1" female BSP

All configuration is subject to customization. • Product measurements: see table on page 7.

WHY CHOOSE TRITON MARINE ELECTRIC?

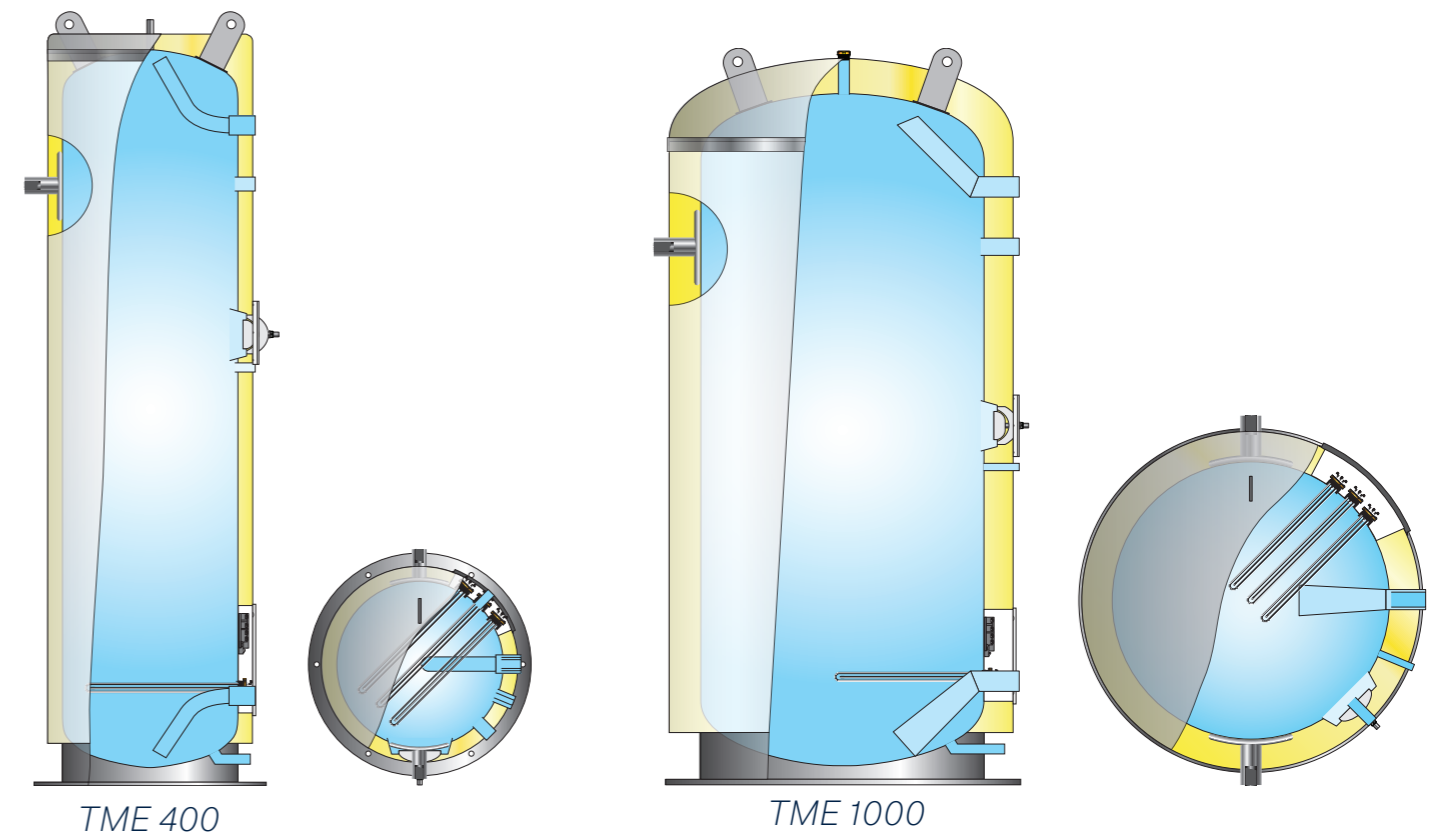
- Class approved and configurable to your needs
- Customized electrical configuration (1,35 – 250 kW, 230–690 V)
- 8 bar design pressure and high temperature water storage
- Class-leading corrosion resistance and long life expectancy.

TECHNICAL DATA

- Max operating pressure: 8 bar
- Max storage temperature: 90°C
- Standard volumes: 80 L, 120 L, 200 L, 300 L, 400 L, 600 L, 1 000 L, 1 500 L, 2 000 L, 3 000 L, 5 000 L, 10 000 L & 15 000 L (Volumes can be customized upon request.)
- ISOFLEX insulation.

COMPONENTS

- Safety Temperature & pressure valve 6,9 bar / 99 °C (discharge capacity 146 kW)
- Drain (see table)
- CW inlet/HW outlet (see table)
- Electrical elements from (1,35 – 250 kW, 230–690 V)
- Standard connections (see table)
- Inspection openings and manway is designed according to Class Rules
- Mixing valve & external heat exchanger: See separate marine add-ons



TME 400

TME 1000

Triton Marine Coil - TMC

Hotwater storage tank with internal heat exchanger coil

Triton Marine Coil - TMC fits most hot water needs in marine installations with the built-in heating coil designed for alternative energy sources.

The TMC is factory equipped with a smooth piped, scale-resistant heating coil. This makes the TMC very flexible and will handle almost any demand in added effect.



Tank volume	Inspection openings	Drain size	CW inlet & HW outlet	Coil Size	Safety equipment	Other connections
200 - 400 L	Handhole 100x150mm	1" male BSP	1 1/2" female BSP	1 m2 tube HEX coil	T&P valve 6,9bar / 99°C - 1"	Hotwater circ. 1" female BSP Temp. Sensor: 1/2" female BSP
600 - 1 000 L	Handhole 100x150mm	1" male BSP	1 1/2" female BSP	1 m2 tube HEX coil	T&P valve 6,9bar / 99°C - 1"	Hotwater circ. 1" female BSP Temp. Sensor: 1/2" female BSP Air vent.: 3/4" female BSP (600 L) 1" female BSP (1000 L)
1 500 - 3 000 L	2 x Handhole 100x150mm	1" male BSP	2" female BSP	1,98 m2 tube HEX coil	T&P valve 6,9bar / 99°C - 1"	Hotwater circ. 1" female BSP Temp. Sensor: 1/2" female BSP Air vent.: 1" female BSP
5 000 - 15 000 L	Manway DN450	2" male BSP	2" female BSP	10 m2 tube HEX coil	2x T&P valve 6,9bar / 99°C - 1"	Hotwater circ. 1" female BSP Temp. Sensor: 1/2" female BSP Air vent.: 1" female BSP

All configuration is subject to customization. • Product measurements: see table on page 7.

WHY CHOOSE TRITON MARINE COIL?

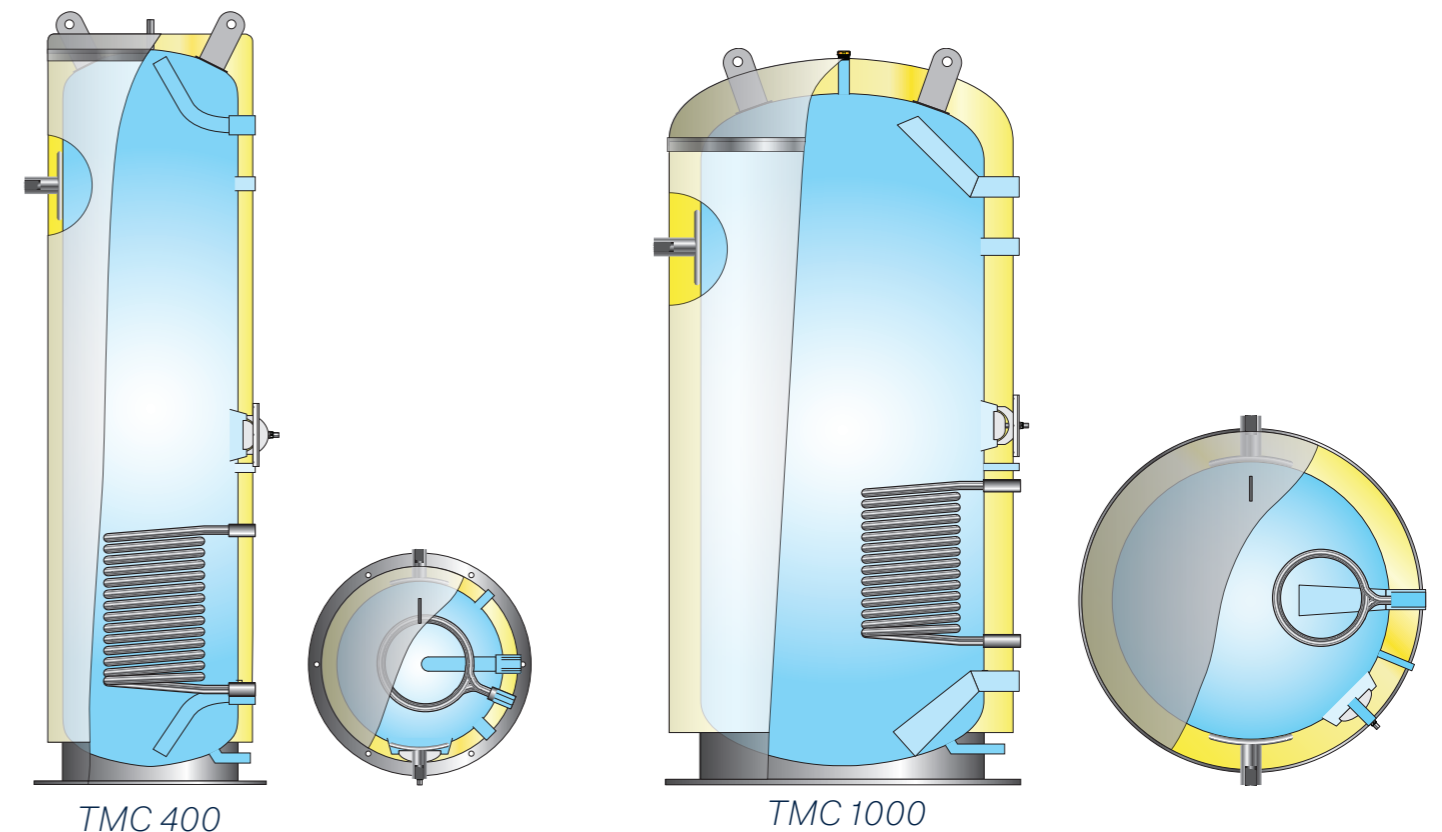
- Class approved and configurable to your needs
- Customized scale resistant internal tube heat exchanger
- 8 bar design pressure and high temperature water storage
- Class-leading corrosion resistance and long life expectancy.

TECHNICAL DATA

- Max operating pressure: 8 bar
- Max storage temperature: 90 °C
- Standard volumes: 200 L, 300 L, 400 L, 600 L, 1 000 L, 1 500 L, 2 000 L, 3 000 L, 5 000 L, 10 000 L & 15 000 L (Volumes can be customized upon request.)
- ISOFLEX insulation.

COMPONENTS

- Safety Temperature & pressure valve 6,9 bar / 99 °C (discharge capacity 146 kW)
- Drain (see table)
- CW inlet/HW outlet (see table)
- Scale resistant HEX coil
- Standard connections (see table)
- Inspection openings and manway is designed according to Class Rules
- Mixing valve & external heat exchanger: See separate marine add-ons



TMC 400

TMC 1000

Triton Marine Coil Electric - TMCE

Unbeatable performance and energy flexibility

Triton Marine Coil Electric - TMCE is suitable for most marine hot water applications, and is heated either with the integrated electric INCOTEC immersion heaters (5-250 kW / 230-690V Current) or from an external heat source, or from a combination of both.

The TMCE is factory equipped with a smooth piped, scale-resistant heating coil, for use with an alternative energy source (typically from the vessels' engine). This provides the TMCE with a unique flexibility to handle almost any demand in added effect.



Tank volume	Inspection openings	Drain size	CW inlet & HW outlet	Electric Configuration	Coil Size	Safety equipment	Other connections
200 - 400 L	Handhole 100x150 mm	1" male BSP	1 1/2" female BSP	3x 5kW heating element	1 m ² tube HEX coil	T&P valve 6,9bar / 99°C - 1"	Hotwater circ. 1" female BSP Temp. Sensor: 1/2" female BSP
600 - 1000 L	Handhole 100x150 mm	1" male BSP	1 1/2" female BSP	3x 5kW heating element	1 m ² tube HEX coil	T&P valve 6,9bar / 99°C - 1"	Hotwater circ. 1" female BSP Temp. Sensor: 1/2" female BSP Air vent.: 3/4" female BSP (600 L) 1" female BSP (1000 L)
1 500 - 3 000 L	2 x Handhole 100x150 mm	1" male BSP	2" female BSP	6x 5kW heating element	1,98 m ² tube HEX coil	T&P valve 6,9bar / 99°C - 1"	Hotwater circ. 1" female BSP Temp. Sensor: 1/2" female BSP Air vent.: 1" female BSP
5 000 - 15 000 L	Manway DN450	2" male BSP	2" female BSP	12x 5kW heating element	10 m ² tube HEX coil	2x T&P valve 6,9bar / 99°C - 1"	Hotwater circ. 1" female BSP Temp. Sensor: 1/2" female BSP Air vent.: 1" female BSP

All configuration is subject to customization. • Product measurements: see table on page 7.

WHY CHOOSE TRITON MARINE COIL ELECTRIC?

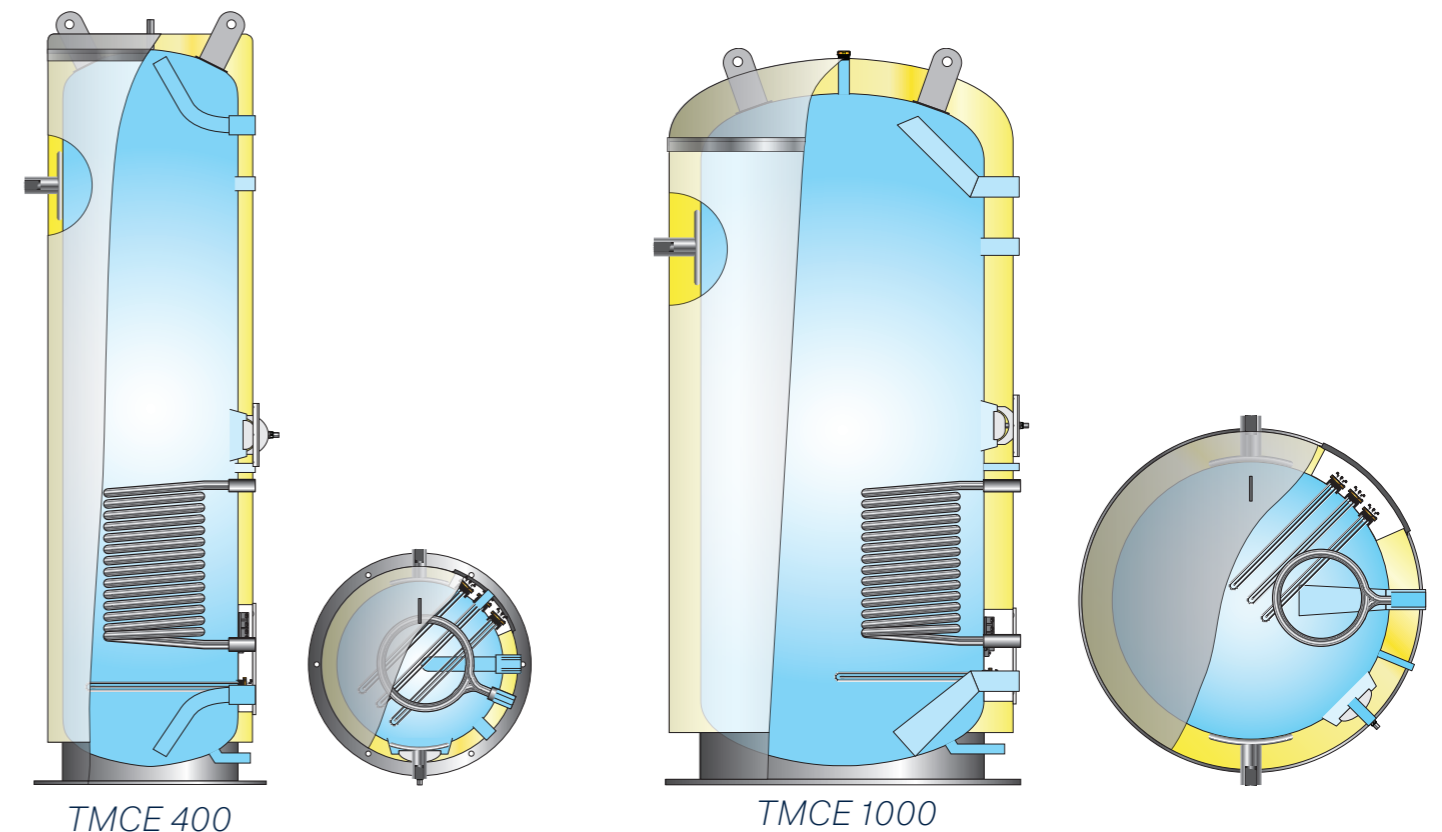
- Class approved and configurable to your needs
- Customized electrical configuration (1,35 - 250 kW, 230-690 V)
- Customized scale resistant internal tube heat exchanger
- 8 bar design pressure and high temperature water storage
- Class-leading corrosion resistance and long life expectancy.

TECHNICAL DATA

- Max operating pressure: 8 bar
- Max storage temperature: 90 °C
- Standard volumes: 200 L, 300 L, 400 L, 600 L, 1 000 L, 1 500 L, 2 000 L, 3 000 L, 5 000 L, 10 000 L & 15 000 L (Volumes can be customized upon request.)
- ISOFLEX insulation.

COMPONENTS

- Electrical elements from (1,35 - 250 kW, 230-690 V)
- Safety Temperature & pressure valve 6,9 bar / 99 °C (discharge capacity 146 kW)
- Drain (see table)
- CW inlet/HW outlet (see table)
- Scale resistant HEX coil
- Standard connections (see table)
- Inspection openings and manway is designed according to Class Rules
- Mixing valve & external heat exchanger: See separate marine add-ons



TMCE 400

TMCE 1000

Triton Marine Accu Heat - TMA Heat

Stainless steel accumulator for hot water

Triton Marine Accu Heat is an ideal accumulator tank for storing heat for use with the ventilation system on board.

The TMA Heat ensures optimal working conditions for the energy source and provide stable temperature to the system.

The TMA Heat can be equipped with electric booster elements (optional). The electric immersion heaters has customizable effect from 5-250kW / 230-690V Current. Please note: When equipping the product with electric immersion heaters a T&P safety valve must also be fitted to fulfil safety regulations - see table.



Tank volume	Inspection openings	Drain size	CW inlet & HW outlet	Safety equipment*	Other connections
200 - 400L	Handhole 100x150mm	1" male BSP	DN65	T&P valve 6,9bar / 99°C - 1"	Temp. Sensor: 1/2" female BSP Air vent.: 1/2" female BSP
600 L	Handhole 100x150 mm	1" male BSP	DN80	T&P valve 6,9bar / 99°C - 1"	Temp. Sensor: 1/2" female BSP Air vent.: 3/4" female BSP
1 000 L	Handhole 100x150 mm	1" male BSP	DN100	T&P valve 6,9bar / 99°C - 1"	Temp. Sensor: 1/2" female BSP Air vent.: 1" female BSP
1 500 - 3 000 L	2 x Handhole 100x150 mm	1" male BSP	DN 150	T&P valve 6,9bar / 99°C - 1"	Temp. Sensor: 1/2" female BSP Air vent.: 1" female BSP
5 000 - 15 000 L	Manway DN450	2" male BSP	DN 200	T&P valve 6,9bar / 99°C - 1"	Temp. Sensor: 1/2" female BSP Air vent.: 1" female BSP

All configuration is subject to customization. • Product measurements: see table on page 7.

*Optional - must be fitted when the product is equipped with electric booster elements.

WHY CHOOSE TRITON MARINE ACCU HEAT?

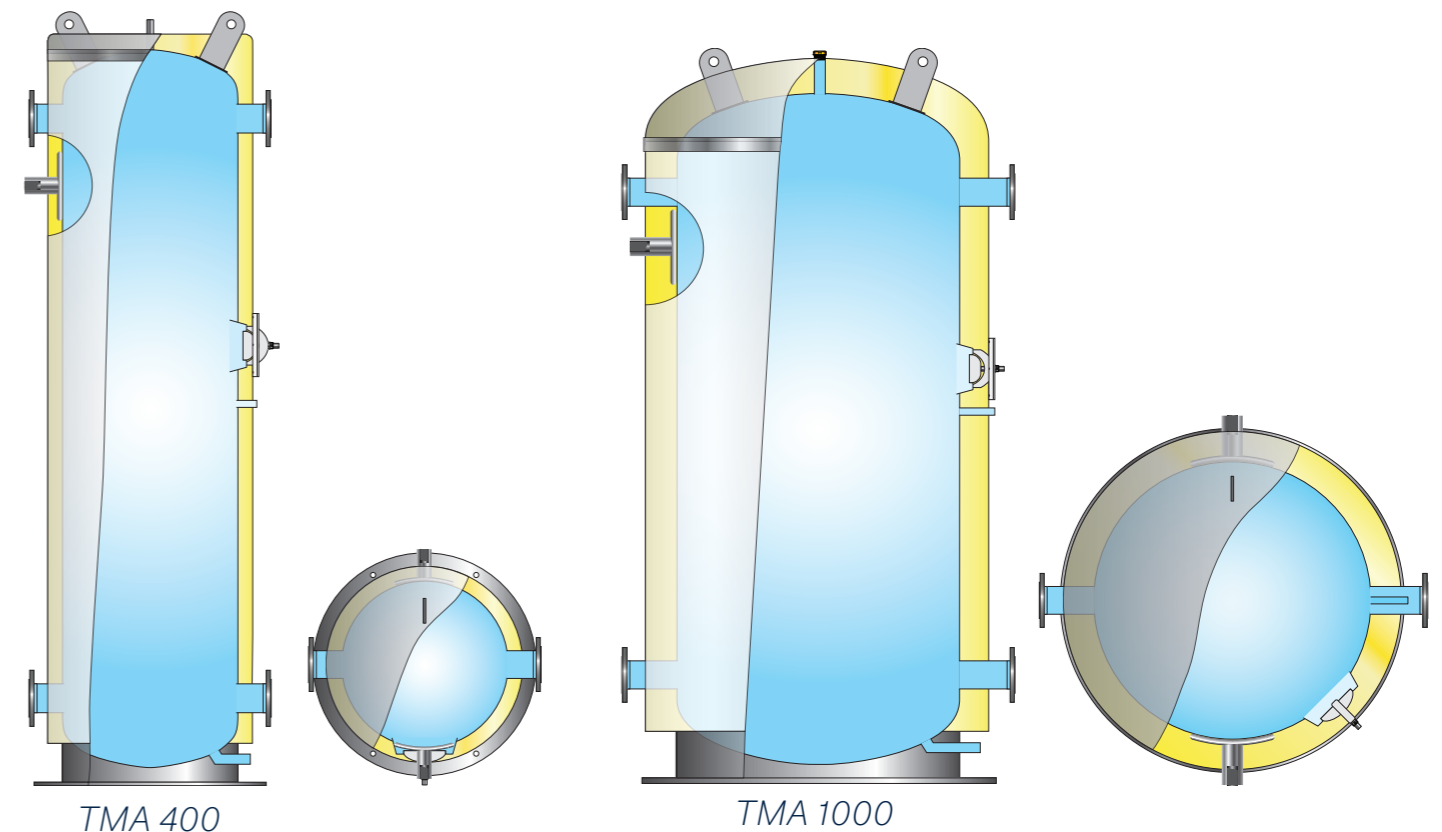
- Class approved and configurable to your needs
- Choose the flow & return dimensions to your needs
- 8 bar design pressure and high temperature water storage
- Class-leading corrosion resistance and long life expectancy

TECHNICAL DATA

- Max operating pressure: 8 bar
- Max storage temperature: 90 °C
- Standard volumes: 200 L, 300 L, 400 L, 600 L, 1 000 L, 1 500 L, 2 000 L, 3 000 L, 5 000 L, 10 000 L & 15 000 L (Volumes can be customized upon request.)
- ISOFLEX insulation.

COMPONENTS

- Drain (see table)
- CW inlet/HW outlet (see table)
- Standard connections (see table)
- Inspection openings and manway is designed according to Class Rules
- Mixing valve & external heat exchanger: See separate marine add-ons



TMA 400

TMA 1000

Triton Marine Accu Cool - TMA Cool

Stainless steel accumulator for cold water

Triton Marine Accu Cool is an ideal accumulator tank for on-board cooling systems. It ensures optimal working conditions for the room climate systems in collaboration with with the refrigerating system.

The TMA provides an optimal and stable temperature for the cooling system.



Tank volume	Inspection openings	Drain size	CW inlet & HW outlet	Safety equipment	Other connections
80 - 120L	Sighthole Ø50mm	1" male BSP	1 1/2" female BSP	NA	Temp. Sensor: 1/2" female BSP Air vent.: 1/2" female BSP
200 - 400L	Handhole 100x150mm	1" male BSP	DN65	NA	Temp. Sensor: 1/2" female BSP Air vent.: 1/2" female BSP
600 L	Handhole 100x150 mm	1" male BSP	DN80	NA	Temp. Sensor: 1/2" female BSP Air vent.: 3/4" female BSP
1 000 L	Handhole 100x150 mm	1" male BSP	DN100	NA	Temp. Sensor: 1/2" female BSP Air vent.: 1" female BSP
1 500 - 3 000L	2 x Handhole 100x150mm	1" male BSP	DN 150	NA	Temp. Sensor: 1/2" female BSP Air vent.: 1" female BSP
5 000 - 15 000L	Manway DN450	2" male BSP	DN 200	NA	Temp. Sensor: 1/2" female BSP Air vent.: 1" female BSP

All configuration is subject to customization. • Product measurements: see table on page 7.

WHY CHOOSE TRITON MARINE ACCU COOL?

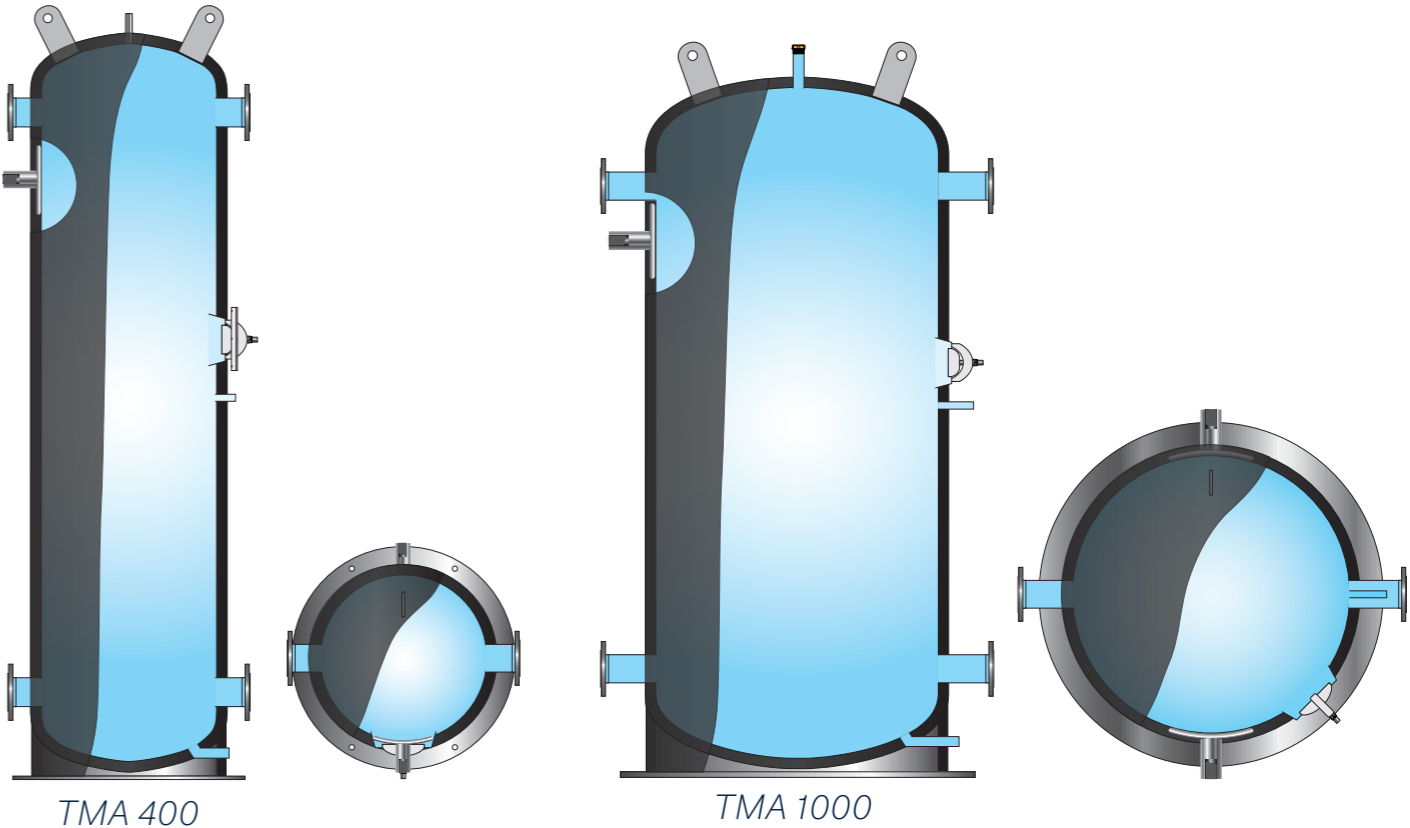
- Class approved and configurable to your needs
- Choose the flow & return dimensions to your needs
- 8 bar design pressure and low temperature water storage
- Class-leading corrosion resistance and long life expectancy

TECHNICAL DATA

- Max operating pressure: 8 bar
- Minimum storage temperature: 4 °C
- Standard volumes: 200 L, 300 L, 400 L, 600 L, 1 000 L, 1 500 L, 2 000 L, 3 000 L, 5 000 L, 10 000 L & 15 000 L (Volumes can be customized upon request.)
- Cellular rubber with diffusion seal

COMPONENTS

- Drain (see table)
- CW inlet/HW outlet (see table)
- Standard connections (see table)
- Inspection openings and manway is designed according to Class Rules
- Mixing valve & external heat exchanger: See separate marine add-ons



Illustrations with cellular rubber insulation

Additional flanges and connections:

Product	Name	Specification	Suitable for
1/2"	Threaded connections	Female BSP threads	All products & sizes
3/4"	Threaded connections	Female BSP threads	All products & sizes
1"	Threaded connections	Female BSP threads	All products & sizes
1.1/4"	Threaded connections	Female BSP threads	All products & sizes
1.1/2"	Threaded connections	Female BSP threads	All products & sizes
2"	Threaded connections	Female BSP threads	All products & sizes
12" / DN300	Flanged connections	PN10 Ring Type	All products > 650L
14" / DN350	Flanged connections	PN10 Ring Type	All products > 800L
18" / DN450	Flanged connections	PN10 Ring Type	All products > 2000L
DN15	Flanged connections	PN 10 Loose flange	All products & sizes
DN20	Flanged connections	PN 10 Loose flange	All products & sizes
DN25	Flanged connections	PN 10 Loose flange	All products & sizes
DN32	Flanged connections	PN 10 Loose flange	All products & sizes
DN40	Flanged connections	PN 10 Loose flange	All products & sizes
DN50	Flanged connections	PN 10 Loose flange	All products & sizes
DN65	Flanged connections	PN 10 Loose flange	All products & sizes
DN80	Flanged connections	PN 10 Loose flange	All products & sizes
DN100	Flanged connections	PN 10 Loose flange	All products & sizes
DN125	Flanged connections	PN 10 Loose flange	All products > 120L
DN150	Flanged connections	PN 10 Loose flange	All products > 120L
DN200	Flanged connections	PN 10 Loose flange	All products > 400L
DN250	Flanged connections	PN 10 Loose flange	All products > 400L
DN15	Flanged connections	PN 16 Weld neck flange (EN 1092-1 Type II)	All products & sizes
DN20	Flanged connections	PN 16 Weld neck flange (EN 1092-1 Type II)	All products & sizes
DN25	Flanged connections	PN 16 Weld neck flange (EN 1092-1 Type II)	All products & sizes
DN32	Flanged connections	PN 16 Weld neck flange (EN 1092-1 Type II)	All products & sizes
DN40	Flanged connections	PN 16 Weld neck flange (EN 1092-1 Type II)	All products & sizes
DN50	Flanged connections	PN 16 Weld neck flange (EN 1092-1 Type II)	All products & sizes
DN65	Flanged connections	PN 16 Weld neck flange (EN 1092-1 Type II)	All products & sizes
DN80	Flanged connections	PN 16 Weld neck flange (EN 1092-1 Type II)	All products & sizes
DN100	Flanged connections	PN 16 Weld neck flange (EN 1092-1 Type II)	All products & sizes
DN125	Flanged connections	PN 16 Weld neck flange (EN 1092-1 Type II)	All products > 120L
DN150	Flanged connections	PN 16 Weld neck flange (EN 1092-1 Type II)	All products > 120L
DN200	Flanged connections	PN 16 Weld neck flange (EN 1092-1 Type II)	All products > 400L
DN250	Flanged connections	PN 16 Weld neck flange (EN 1092-1 Type II)	All products > 400L
1/2"	Flanged connections	ASME Weld neck flange Sch 40	All products & sizes
3/4"	Flanged connections	ASME Weld neck flange Sch 40	All products & sizes
1"	Flanged connections	ASME Weld neck flange Sch 40	All products & sizes
1.1/4"	Flanged connections	ASME Weld neck flange Sch 40	All products & sizes
1.1/2"	Flanged connections	ASME Weld neck flange Sch 40	All products & sizes
2"	Flanged connections	ASME Weld neck flange Sch 10/40	All products & sizes
3"	Flanged connections	ASME Weld neck flange Sch 10/40	All products & sizes

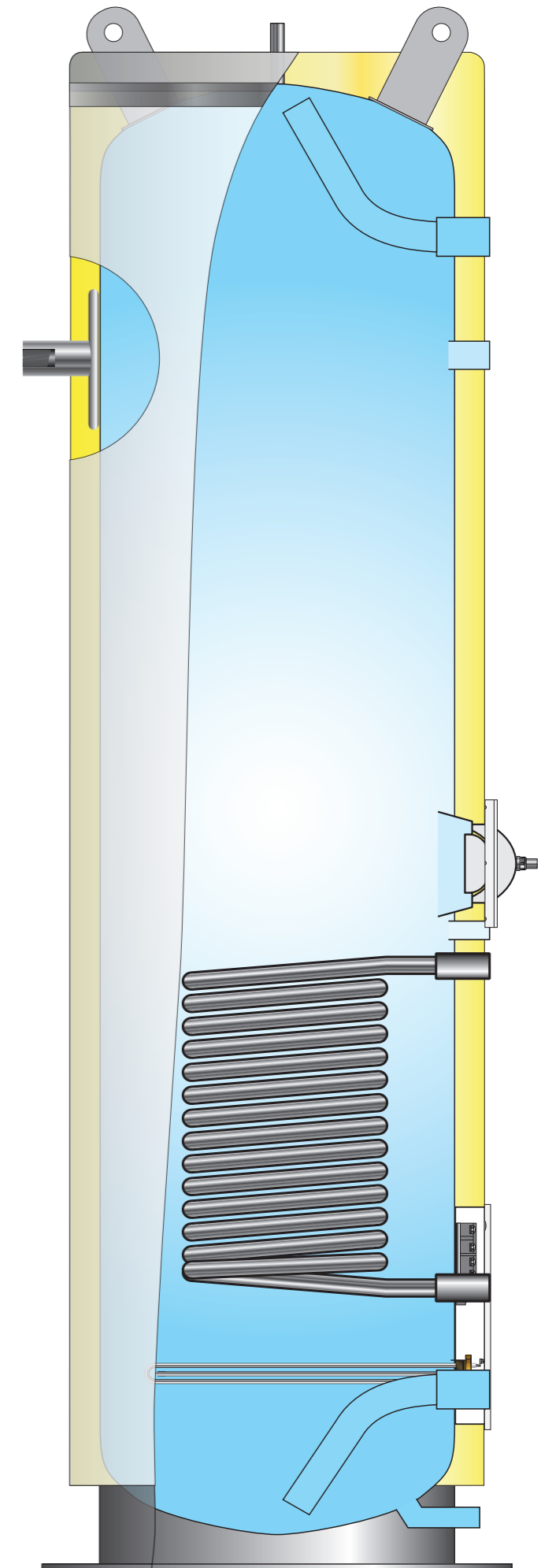
Class Societies

Triton Marine series has a market leading ability to be customized to your needs, in terms of nozzle configuration, electric specifications, volume and footprint - all within the scope of Type Approvals from Class Societies such as Bureau Veritas (BV), Det Norske Veritas (DNV), American Bureau of shipping (ABS), Lloyd's Register (LR) and others upon request.

This means that you can rely on your OSO product to take care of your hot water needs year in, year out.



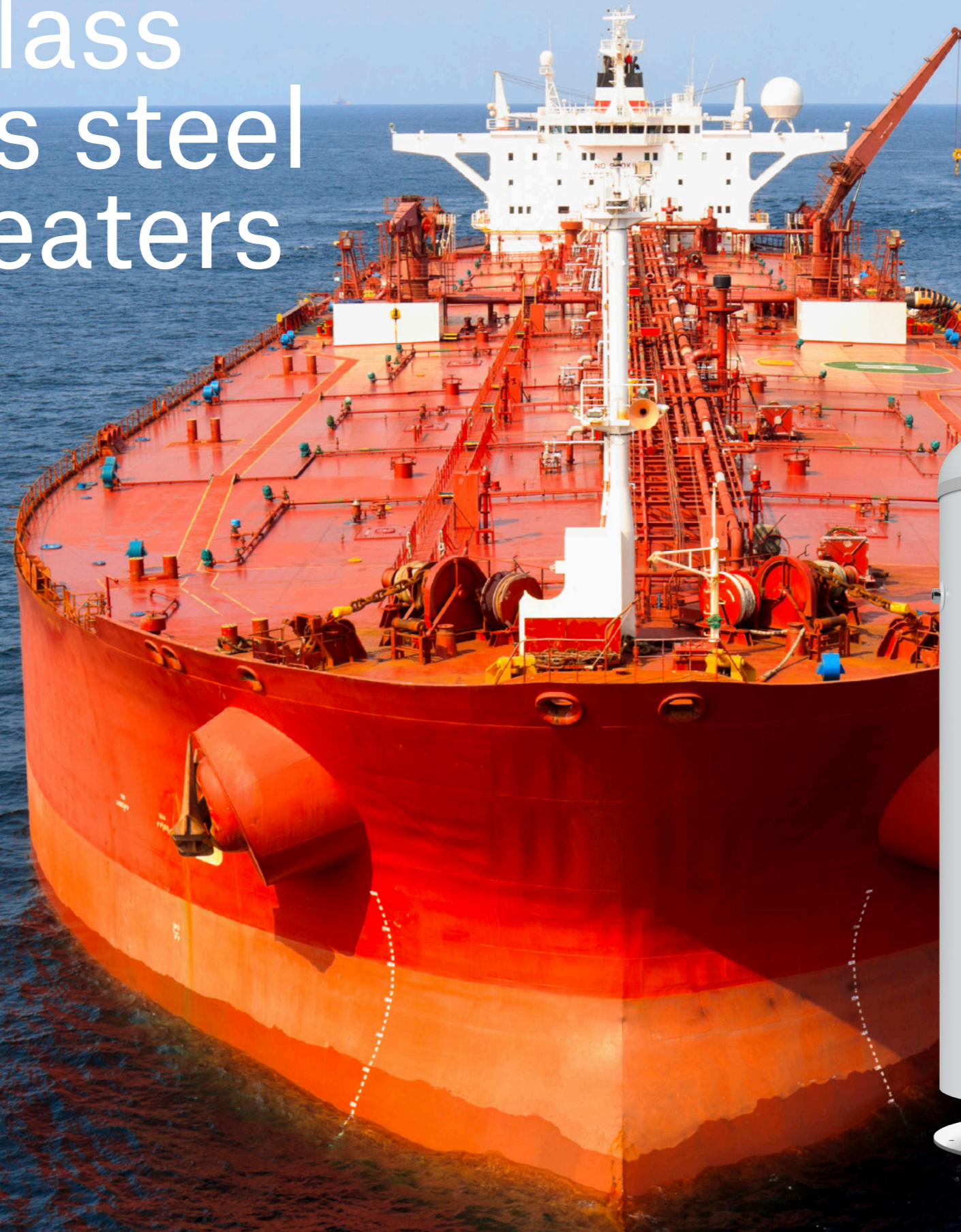
**BUREAU
VERITAS**



Triton Marine

World class
stainless steel
water heaters

OSO
HOTWATER



OSO

World class hot water cylinders since 1932

OSO HOTWATER
E-MAIL: MARINE@OSOHOTWATER.COM / WWW.OSOHOTWATER.COM